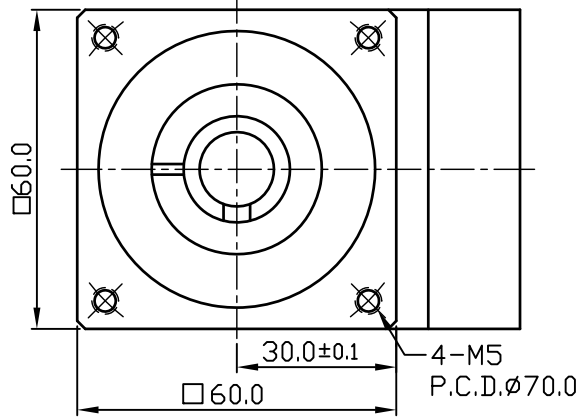
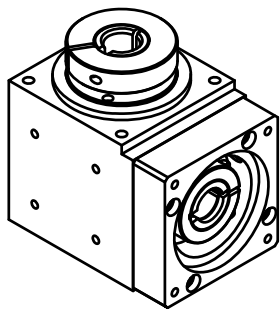
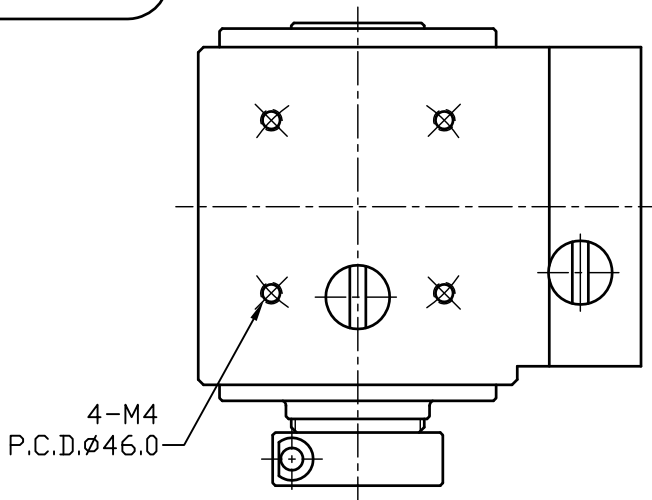
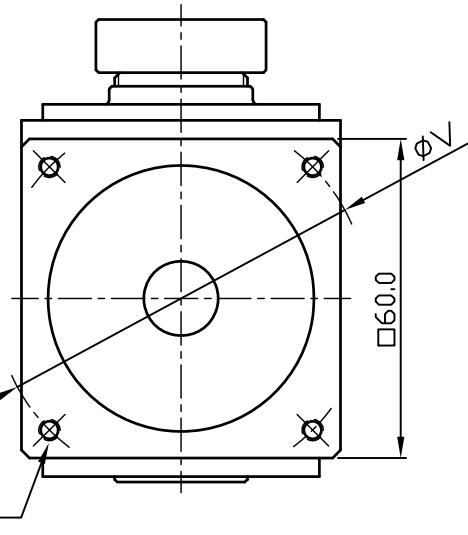
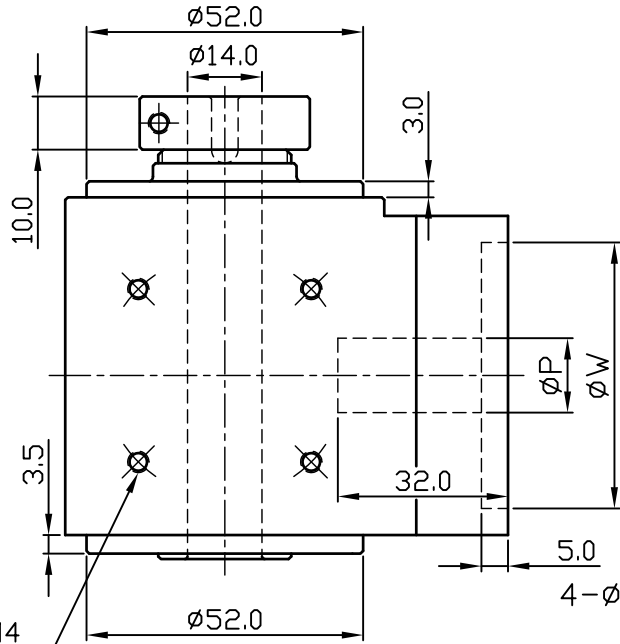
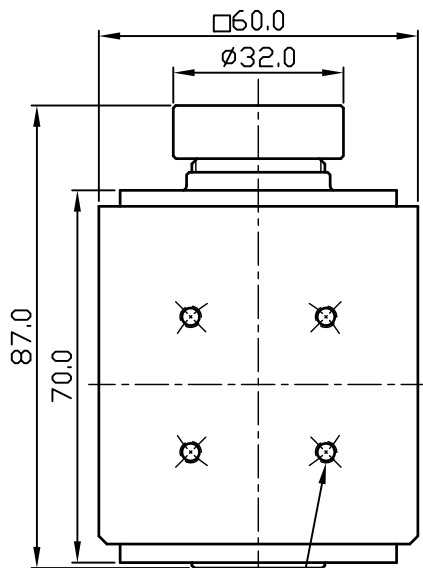


RAH-060-002



GEAR HEAD
INLET DIMENSION
(FOR MOTOR OUTLET)



4-M4
P.C.D. $\phi 36.0$
4-M4
P.C.D. $\phi 46.0$

