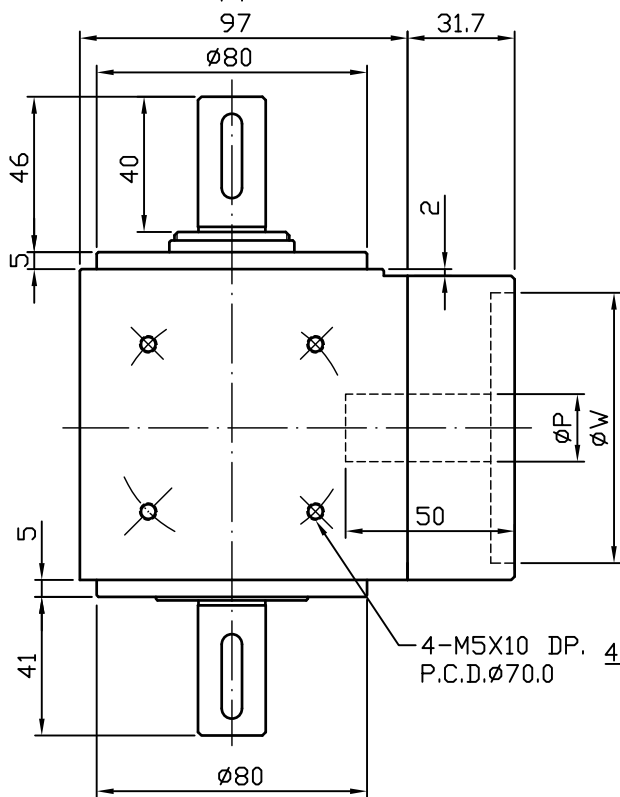
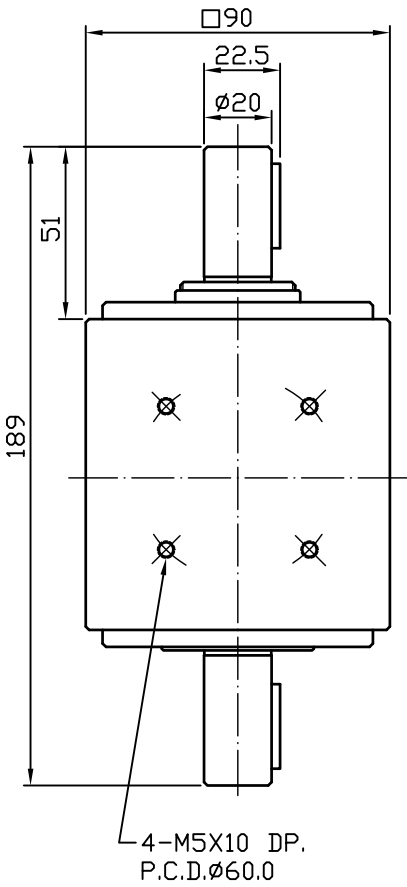
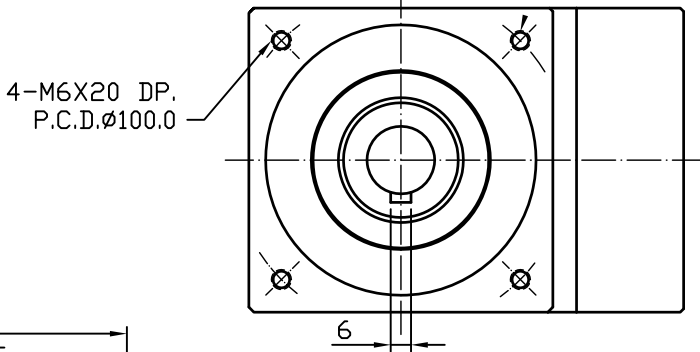
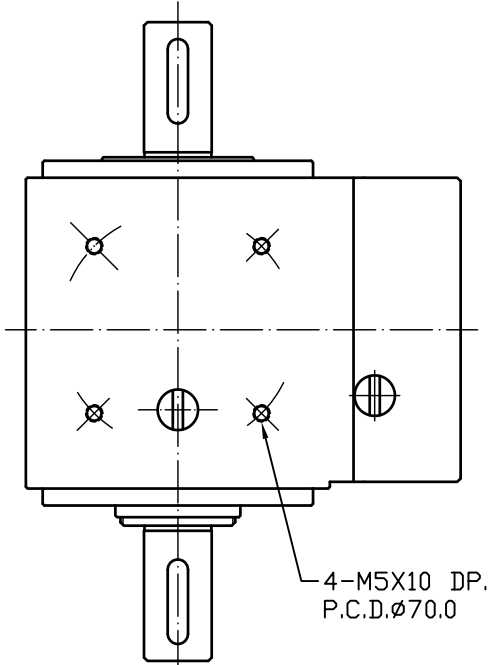


**RAD-090-002**



GEAR HEAD  
INLET DIMENSION  
(FOR MOTOR OUTLET)

