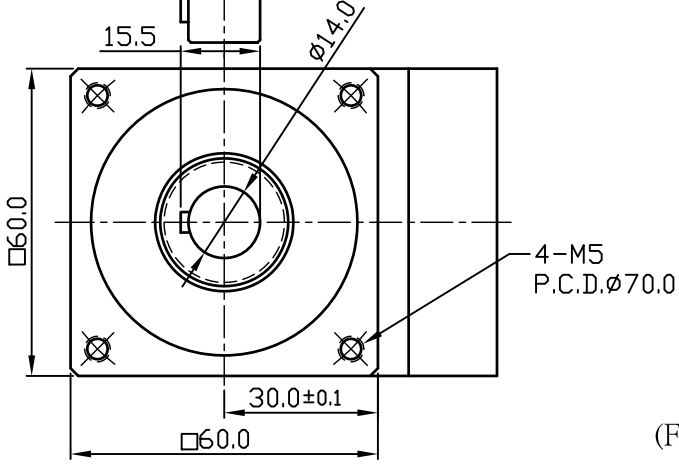
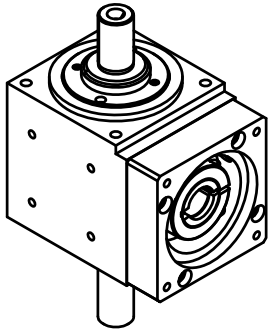
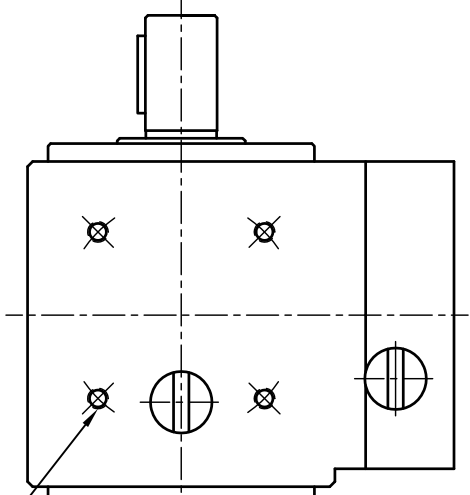


RAD-060-002



GEAR HEAD
INLET DIMENSION
(FOR MOTOR OUTLET)

